

Heating and A/C control unit location-

Disconnect the negative battery cable.

1. Place the ignition key in the *OFF* position.
2. If necessary, remove the ash tray.
3. Remove the trim bezel.
4. Remove the control panel head retaining screws.
5. Pull the control head out of the instrument panel. Separate the two connectors on the rear of the control head.

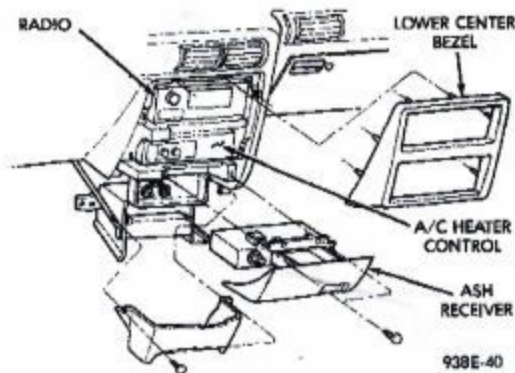
To install:

1. Attach the connectors at the rear of the control head.
2. Place the control head into the instrument panel and install the control head retaining screws.
3. If removed, install the ash tray.
4. Install the trim bezel.
5. Connect the negative battery cable

Control Assembly: Service and Repair

REMOVAL

1. Remove the ash receiver assembly, if necessary.



Lower Center Bezel

2. Remove the lower center bezel and remove the mounting screws from sides of control.
3. Remove the control and disconnect the two electrical connectors.

INSTALLATION

- For installation, reverse the above procedures.