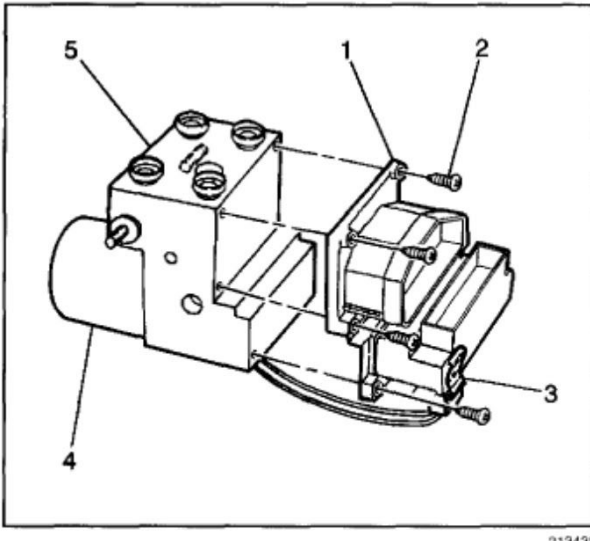


2003-2007 Hummer H2 ABS Module Removal Instructions

NOTE: To prevent equipment damage, never connect or disconnect the wiring harness connection from the EBCM with the ignition switch in the ON position.



1. Turn the ignition switch to the OFF position.
2. Raise the Vehicle. Refer to Vehicle Lifting.
3. Disconnect the EBCM harness connector.
4. Remove any dirt/debris from the assembly.
5. Remove the 6 retainers (2) that connect the EBCM to the hydraulic pump.
IMPORTANT: Do not pry apart using a tool. Be careful not to damage the hydraulic pump surface. Do NOT damage the solenoid valves when you remove the EBCM from the hydraulic pump.
6. Separate the EBCM (1) from the pump (4) by gently pulling apart until separated.
7. Disconnect the pump motor connector (3) at the bottom of the EBCM.