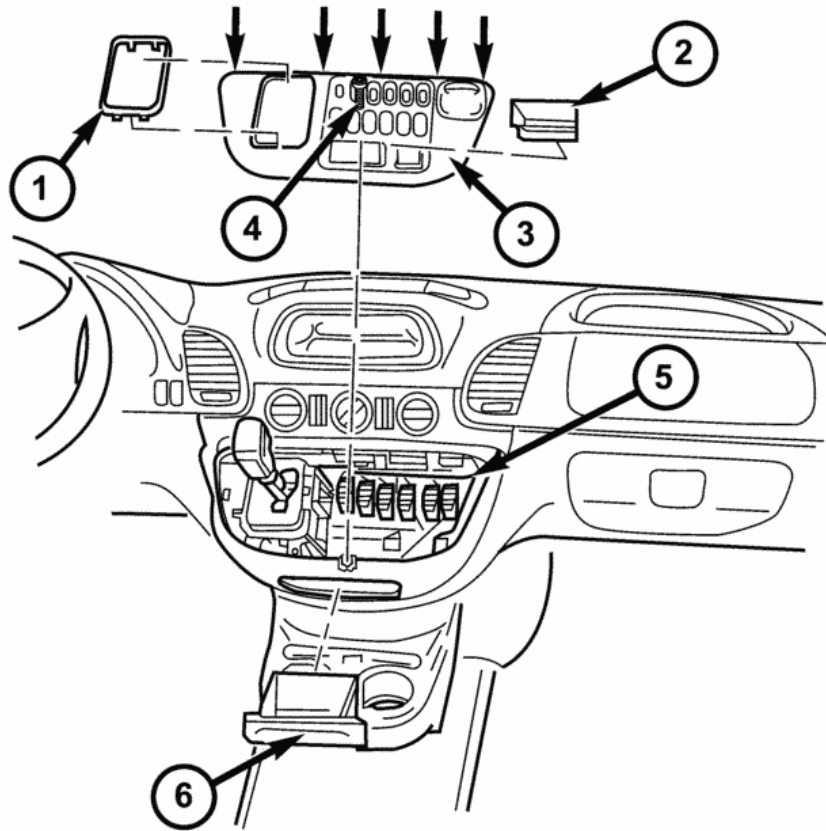
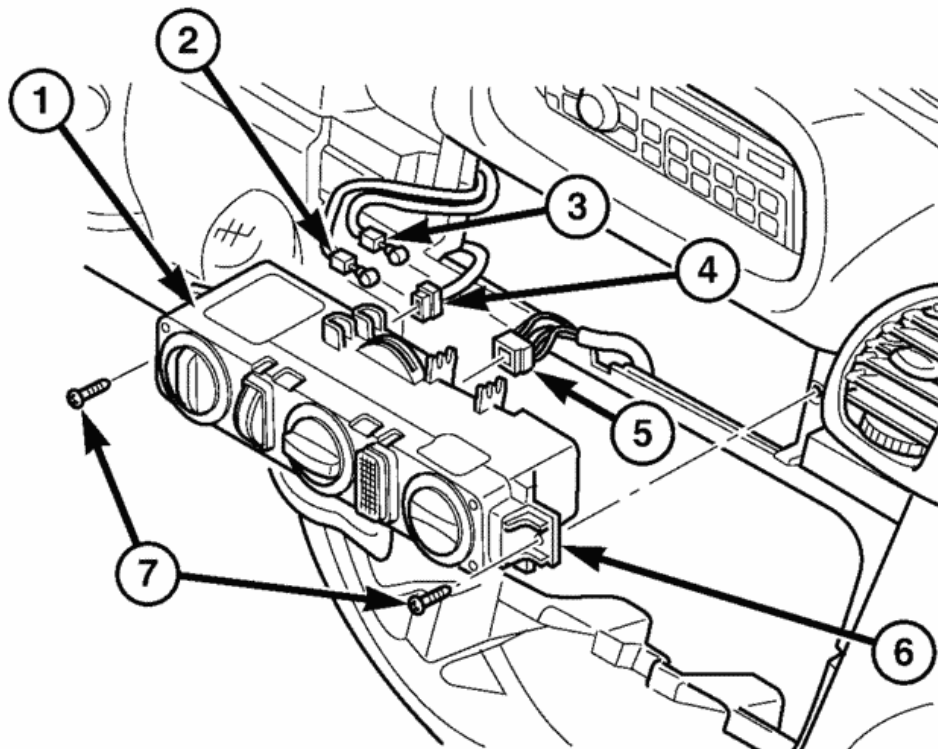


Remove accessory switch bezel,



810b8e75

Once this bezel is removed you can remove the screws securing the instrument center bezel and then unsnap it, follow that by the 2 screws holding the heater/ac control to the dash and then remove the control.



808c8474