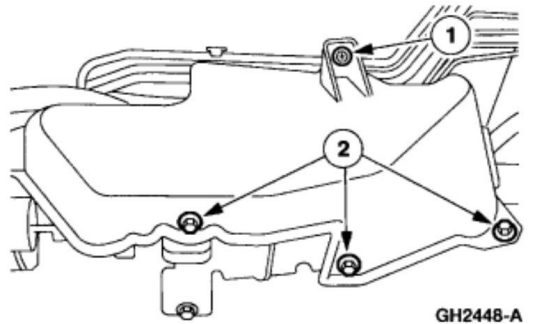


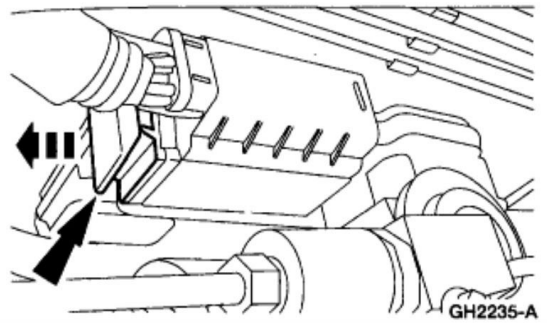
Removal Procedure

Ford Windstar ABS Module

1. Disconnect the battery ground cable.
2. Raise and support the vehicle.

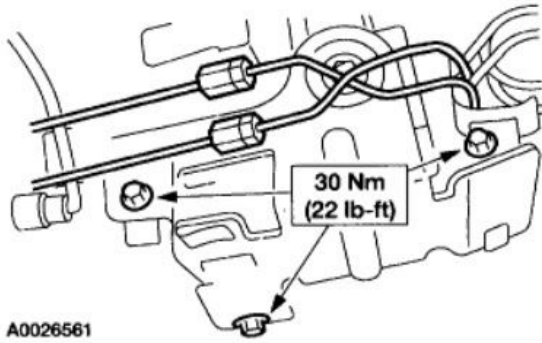


3. Remove the ABS module dust shield by removing screw (1) and bolts (2).

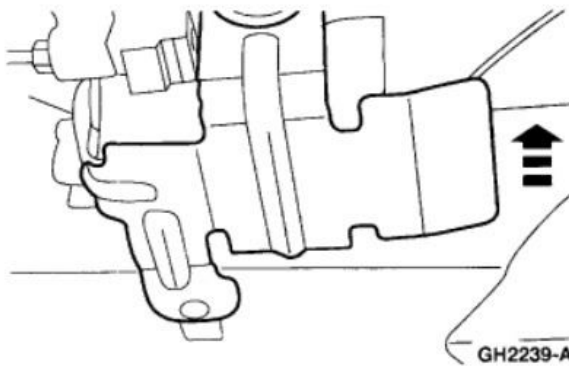


4. Disconnect the ABS module electrical connector. Slide the connector lock rearward as shown above.



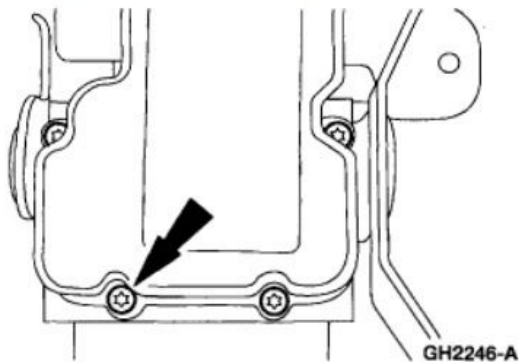


5. Remove the three HCU bracket to frame bolts.



6. Lift the bracket hooks from the frame and lower the HCU to access the anti-lock brake module.

CAUTION: Be sure to lift straight up to avoid damage to the HCU components.



7. Remove the four torx screws that attach the ABS module to the hydraulic unit.