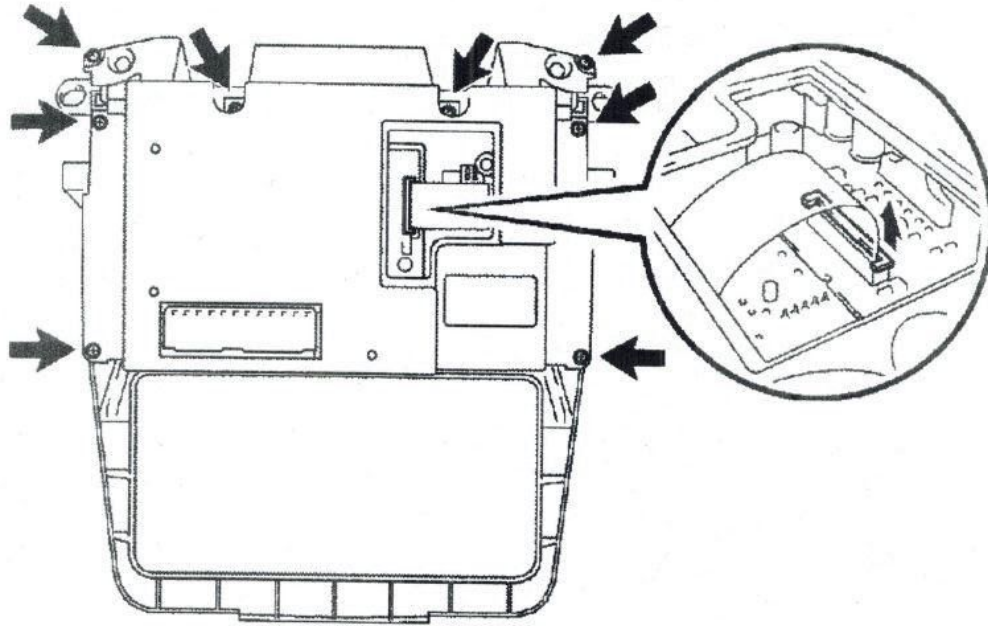


Remove Heater Control Retainer And Housing



Transfer Hazard Light Button and Passenger Indicator Covers

(Gently pull, they will come off easily)

